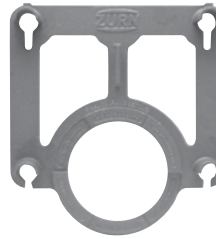


**⌚ ZE1203-N ADJUSTABLE HORIZONTAL SIPHON JET WITH ELONGATED FITTING – NO-HUB SERIES**

Product Number	Dimensions in inches [mm]				Approximate Weight lb [kg]
	A	B	K	N	
ZE1203-NL4	4 [102]	36 [914]	6-1/8 [156]	8-7/8 [225]	84 [38]
ZE1203-NR4				13-3/8 [340]	136 [62]
ZE1203-ND4					

PREFIXES	DESCRIPTION	SINGLE	DOUBLE
<b>ZE1203*</b>	D.C.C.I. Elongated Fitting System with 4" Adjustable Coupling	<b>Combine with Fitting Type for Pricing</b>	
<b>ZEQ1203</b>	D.C.C.I. Elongated Fitting System with NPT Faceplate, Non-Adjustable Coupling		
FITTING TYPE			
-NR4	4" No-Hub Right-Hand Inlet with Flow to Left	<b>1,965.00</b>	-
-NL4	4" No-Hub Left-Hand Inlet with Flow to Right	<b>1,965.00</b>	-
-ND4	4" No-Hub Back-to-Back Inlet (Double)	-	<b>3,242.00</b>
SUFFIXES		ADD	
-A	Auxiliary Support Assembly (Required For P-Dim. Greater than 18")	<b>861.00</b>	<b>1,720.00</b>
-B	Blowout Type Fixture Support	N/C	N/C
-CC	Corrosion Resistant Cast Iron Coupling (6" to 12")	N/C	N/C
-CL	Coupling Length Greater than 12" - Per Inch (Specify Length Required)	<b>102.00</b>	<b>203.00</b>
-JC	2" Auxiliary Inlet with Sanitary Sweep	<b>365.00</b>	-
-M	Auxiliary Foot Support (Required For P-Dim. 10" thru 18")	<b>324.00</b>	<b>645.00</b>
⌚ -PF	Pre-Fab Foot	N/C	N/C
⌚ -PS	Pre-Fab Slotted Foot	N/C	N/C
⌚ -RYK	Unistrut Pre-Fab Foot	N/C	N/C
-VP	Vandal-Proof Trim	<b>137.00</b>	<b>270.00</b>
-X3	3" Foot Extension Assembly	<b>90.00</b>	<b>176.00</b>
-X4	4" Foot Extension Assembly	<b>115.00</b>	<b>227.00</b>
⌚ -45	Finishing Frame for Siphon Jet System (For Blowout System specify -45-B)	<b>84.00</b>	<b>167.00</b>
⌚ -50	Flush Valve Supply Support for Water Closet (Previously Z1210-50)	<b>90.00</b>	<b>176.00</b>
		DEDUCT	
-F	Floor Mounted, Back Outlet Fixture Support	<b>-158.00</b>	<b>-315.00</b>
BEST SELLERS		LIST PRICE	
ZEQ1203-ND4-45		<b>3,407.00</b>	
ZEQ1203-NR4-45-50		<b>2,138.00</b>	



⌚ Z1200-RI-GAUGE



Z1200-CPLGWRNCH-4

Items designated as Best Sellers are most specified and are generally in stock for shipment.  
 ⌚ This symbol denotes a product that is engineered to reduce installation and rework time.  
 For Additional System Tools See "Z1200 Carrier Tools and Accessories" on page 214

\*Regularly furnished unless otherwise specified.  
 For additional product information, please visit [www.zurn.com](http://www.zurn.com)

INTRO  
 ROOF DRAINS  
 FLOOR DRAINS  
 T, P, BW VALVES  
 INTERCEPTORS  
 CARRIERS  
 HYDRANTS  
 CLEANOUTS  
 W/HA  
 SS DRAINS  
 FAB SS DRAINS  
 SAN-FLOOR  
 TECH INFO

## ZE1203-N ADJUSTABLE HORIZONTAL SIPHON JET WITH ELONGATED FITTING – NO-HUB SERIES

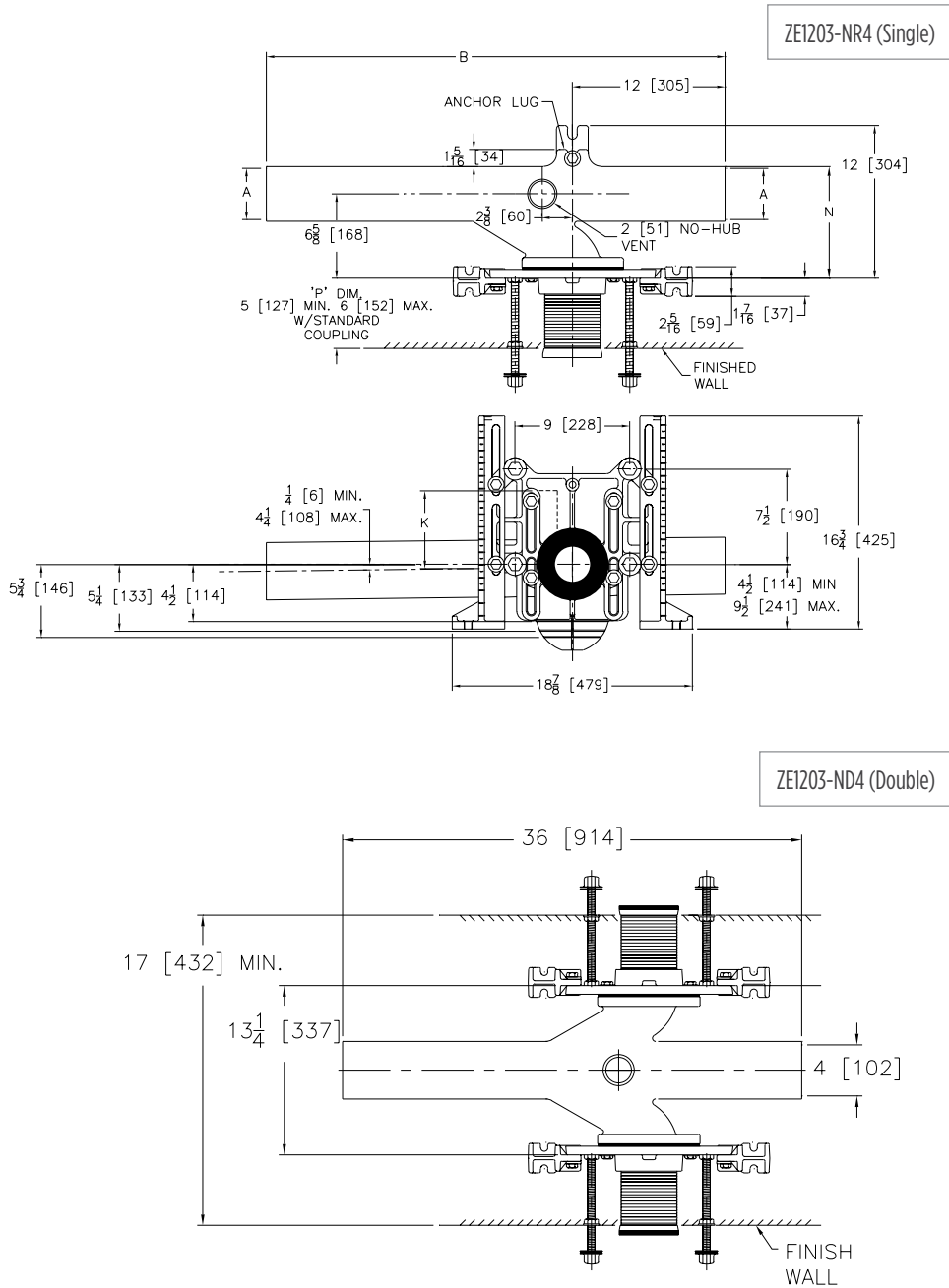


### ENGINEERING SPECIFICATION

Zurn ZE1203-N ( ) adjustable, horizontal siphon jet water closet provides a rigid system with ( ) no-hub connections. Comes complete with Dura-Coated cast iron right-hand, left-hand, or double main elongated fitting, 2" vent, adjustable gasketed faceplate, universal floor mounted foot supports, corrosion resistant adjustable polymer coupling with integral test cap, fixture bolts, trim, and stud protectors. Includes rear anchor tie down and bonded Neo-Seal gasket.

### NOTES

1. 13-1/2" minimum space required between front of foot and rear of anchor to install ZE1203 Series.
2. Minimum 'P' dimension obtainable = 2".
3. Feet bolted to floor using min. 1/2" diameter bolts through back slots on carrier feet.
4. Rear anchor foot mandatory for secure installation.



\*Regularly furnished unless otherwise specified.

For additional product information, please visit [www.zurn.com](http://www.zurn.com)

Items designated as Best Sellers are most specified and are generally in stock for shipment.

Ⓢ This symbol denotes a product that is engineered to reduce installation and rework time.

For Additional System Tools See "Z1200 Carrier Tools and Accessories" on page 214